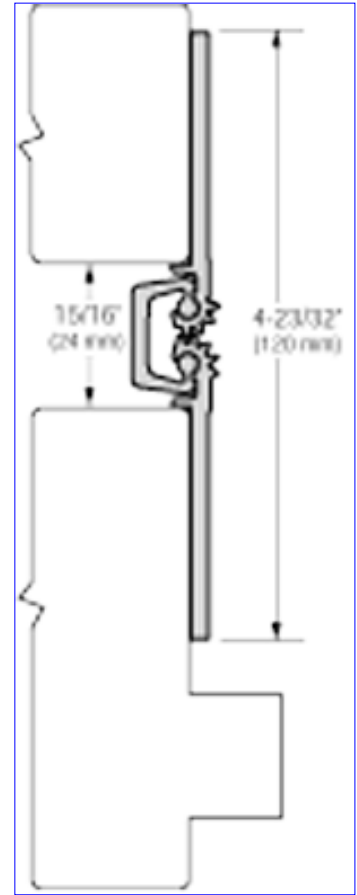
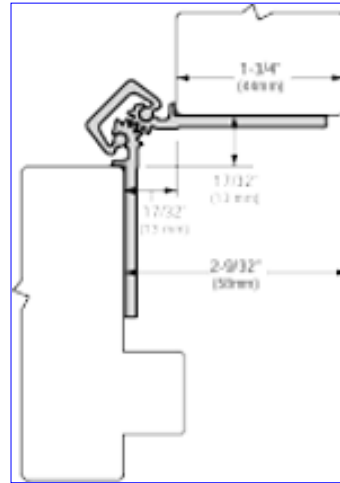
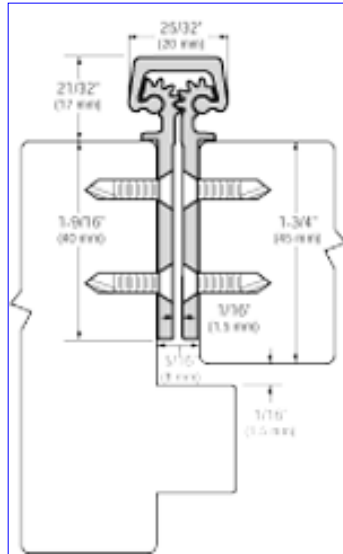


Roton

Concealed Leaf • Door of any Material • Standard and Heavy Duty

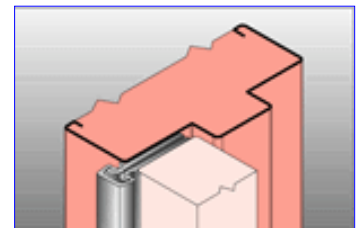
Standard Duty for medium frequency doors to 200 lbs.

Heavy Duty for high frequency doors or heavy medium frequency doors.



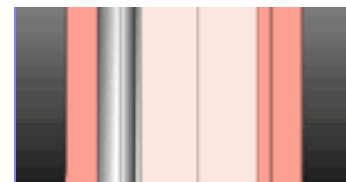
780-112

- **CLEARANCE:** 5/16" (8 mm) hinge side plus standard lockside clearance
- **FASTENERS:** Drill Quick screws
- **LENGTH OPTIONS:** Standard and Custom
- **DOOR REINFORCEMENT:** None required to 200 lbs. Use 16 gauge channel at higher weight.
- **FRAME REINFORCEMENT:** None required to 200 lbs. Use 16 gauge channel at higher weight.
- **FIRE RATING:** Up to 3 hours. Specify stud or U/L. (see additional information on page 6S)



- **SPECIAL FEATURES:**

Lead lined model for hospital x-ray room doors with double row of screws to straddle lead. Specify "LL".
 Frame and door leaf alignment ribs for proper hinge and door location



780-112 HD

780-112 LL

Roton model number	Length in Inches	Length in Centimeters	Screw Count # for door	Screw Count # for jamb
780-112	79	200.7	16	16
780-112	83	210.8	20	20
780-112	85	215.9	20	20
780-112	95	241.3	20	20
780-112	119	302.3	22	22

Roton model number	Length in Inches	Length in Centimeters	Screw Count # for door	Screw Count # for jamb
780-112HD	79	200.7	24	24
780-112HD	83	210.8	28	28
780-112HD	85	215.9	28	28
780-112HD	95	241.3	28	28
780-112HD	119	302.3	28	32

Roton model number	Length in Inches	Length in Centimeters	Screw Count # for door	Screw Count # for jamb
780-112LL	79	200.7	36	36
780-112LL	83	210.8	40	40
780-112LL	85	215.9	40	40
780-112LL	95	241.3	44	44
780-112LL	119	302.3	54	54

[Request More Information](#)

Ph. 1-800-325-9995 or 1-314-772-4400 - Fax 1-800-782-0149 or 1-314-772-0744

"THE FIRST FAMILY OF SUPERIOR HARDWARE"